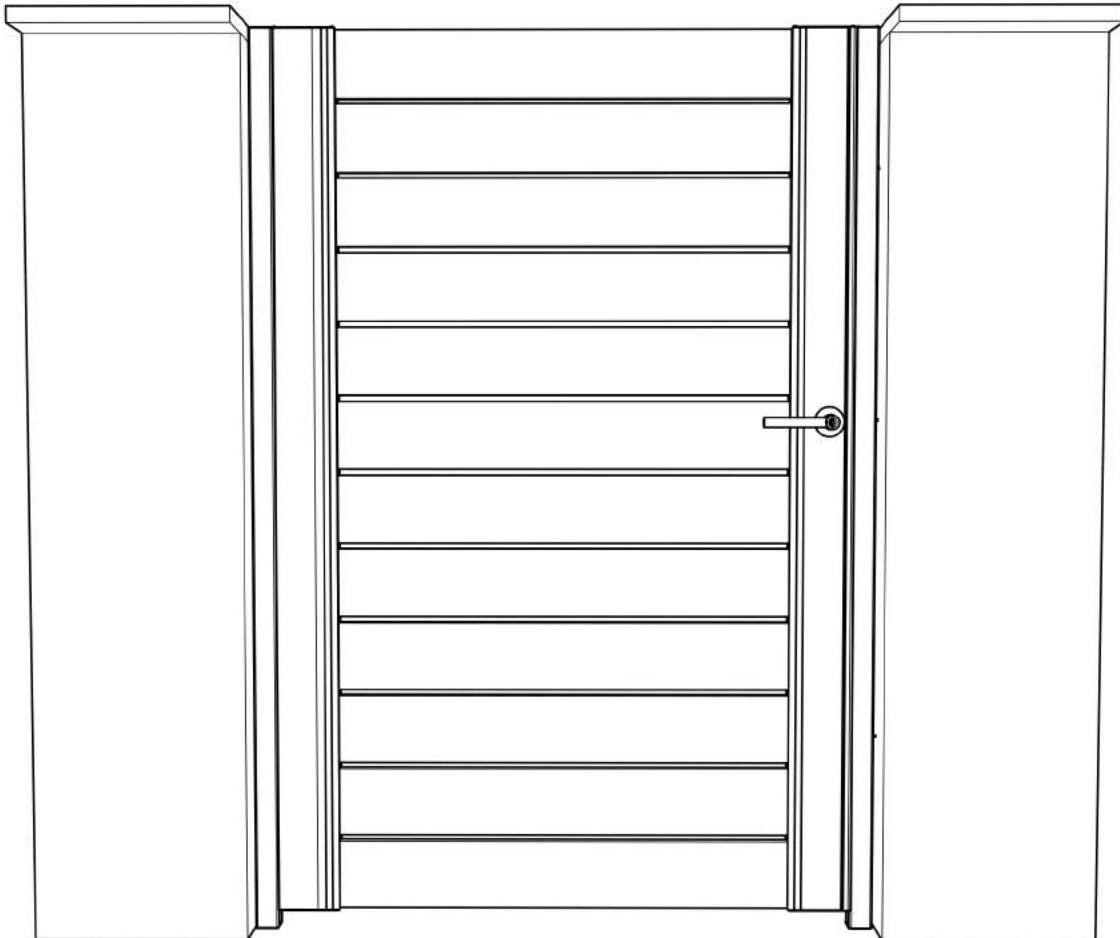




## Gate kit installation guide



Scan to watch  
installation video



Maintenance Free



All Weather



Termite Free



Water Resistant



Fire Resistant

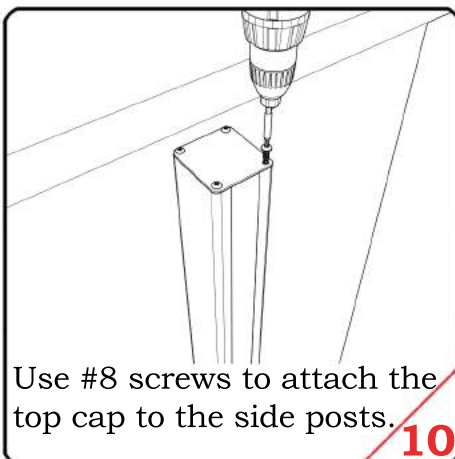
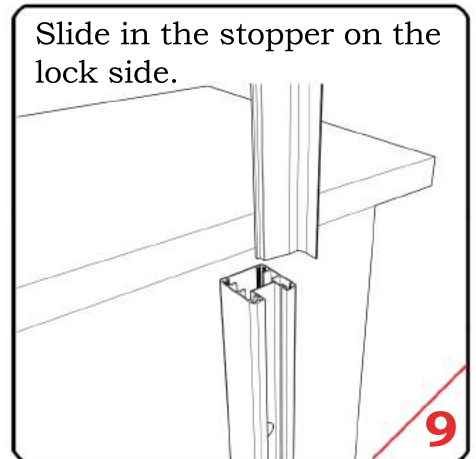
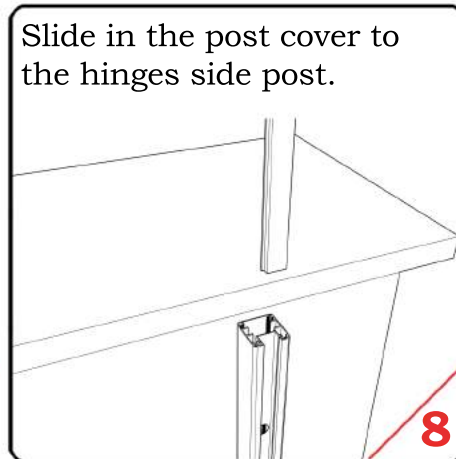
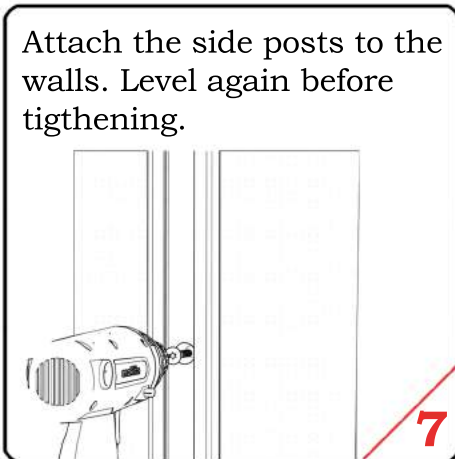
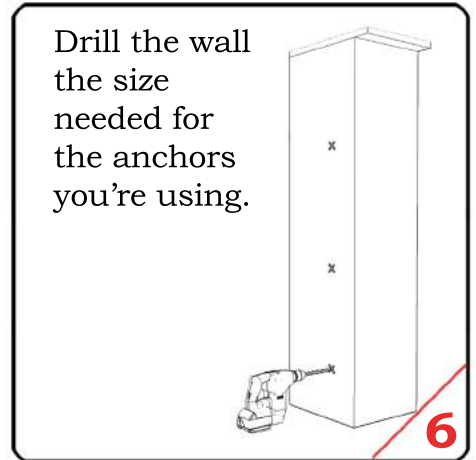
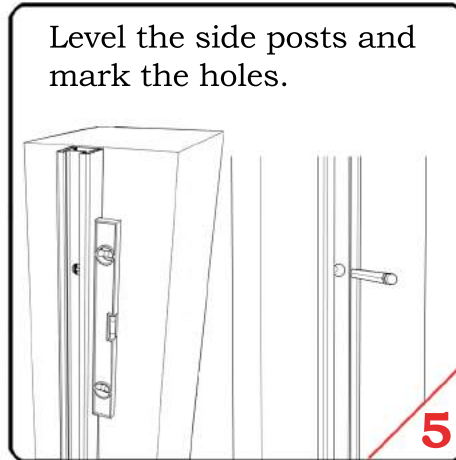
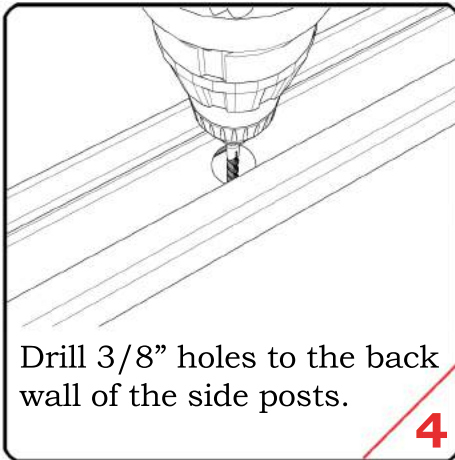
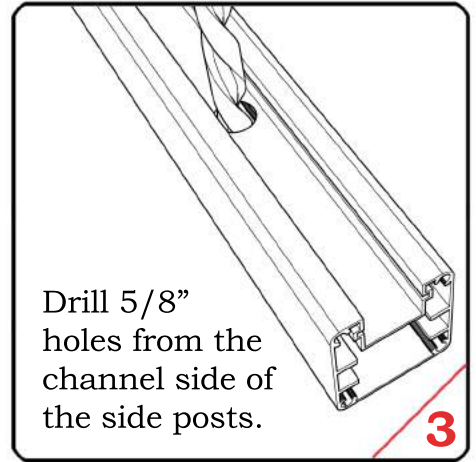
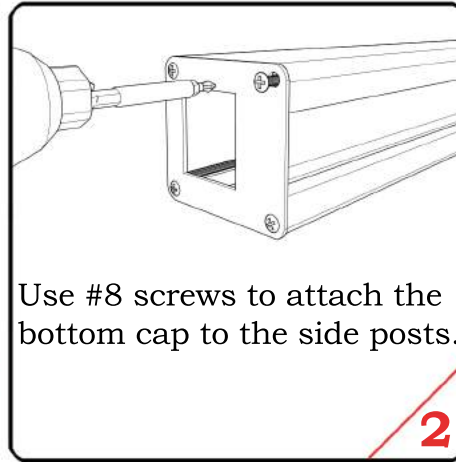
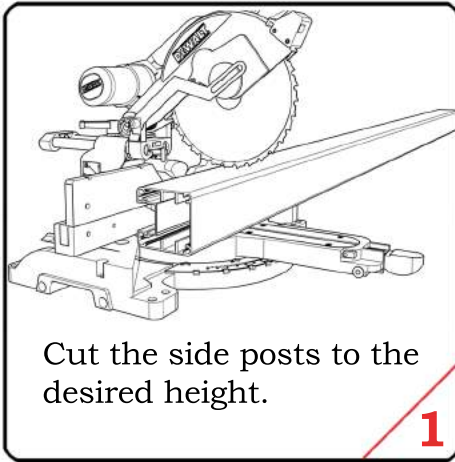


All Aluminum



Recyclable

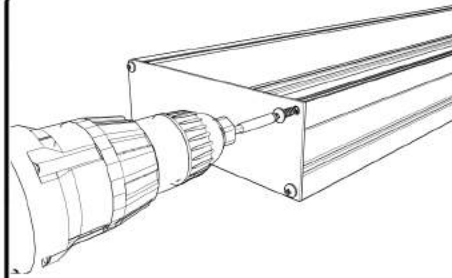
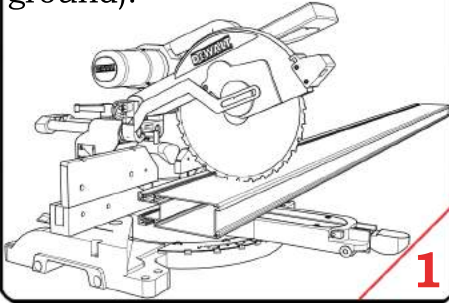
## PART A: INSTALLING THE SIDE POSTS



The side post can be mount on:  
Concrete columns, block wall, house with siding or staccu, fence post or anything stable enough to support the gate's weight (75lb-81lb).

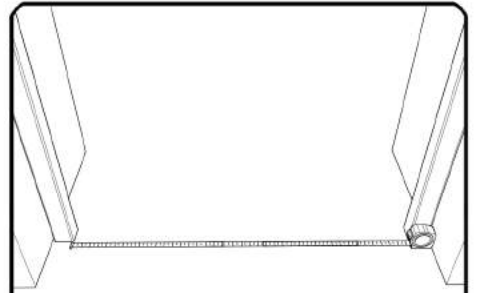
## PART B: ASSEMBLING THE GATE

Cut the gate posts to the desired height (1"-2" shorter to have gap from the ground).



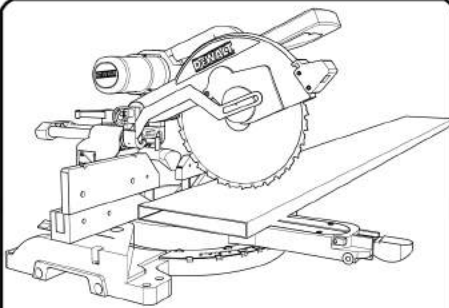
Use #8 screws to attach the bottom caps to the gate posts.

2



Measure the distance between the side posts.

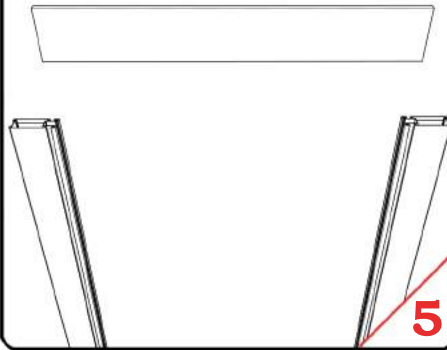
3



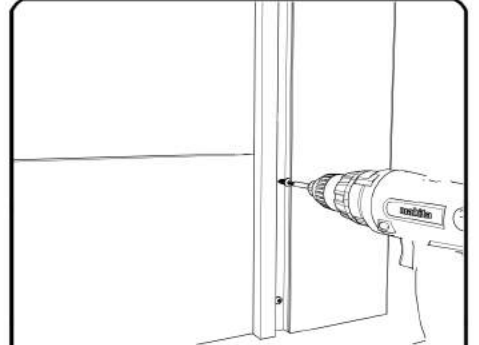
Cut the slats needed 7-3/4" shorter than the opening between the side posts.

4

Place the first slat between the gate posts and square it.



5



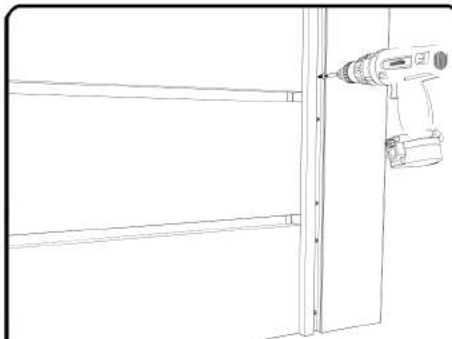
Use #8 screws to attach the first slat to the frame.

6

Slide in the spacers and slat to build the desired design.

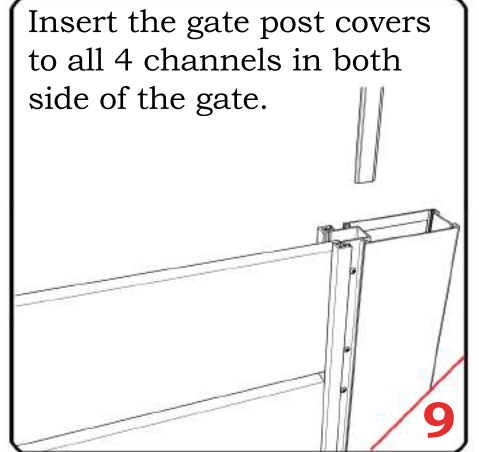


7



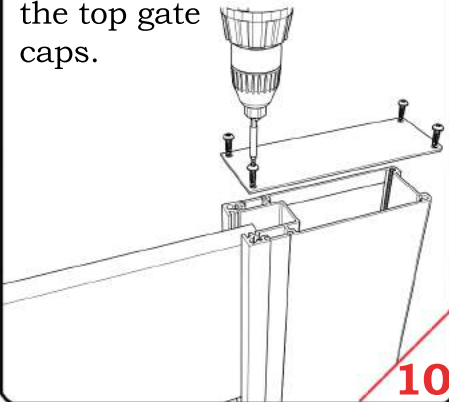
Attach the last slats and add more screws to most of the slats.

8



9

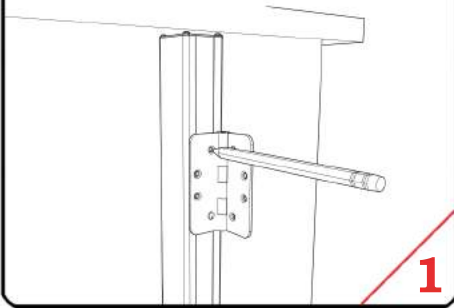
Use #8 screws to attach the top gate caps.



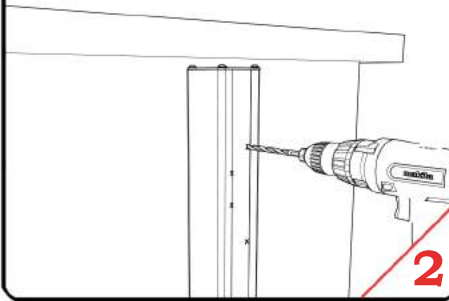
10

# PART C: INSTALLING THE GATE

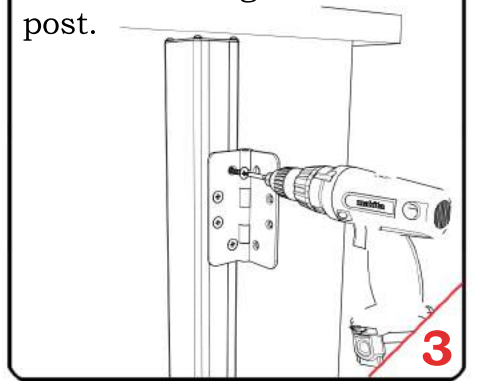
Place the hinges on the side post and mark the screw holes.



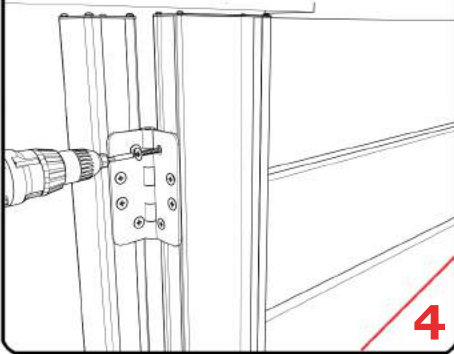
Pre-drill 1/8" holes for the hinges screws.



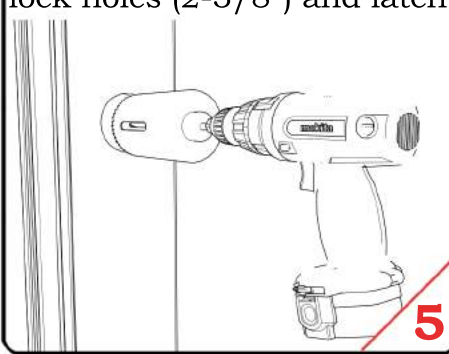
Use #10 flathead screws to attach the hinges to the side post.



Place the gate open and attach the hinges to the gate.



Use new door lock installation kit and drill the lock holes (2-3/8") and latch.



Install the lever. Use manufacturer guide.

